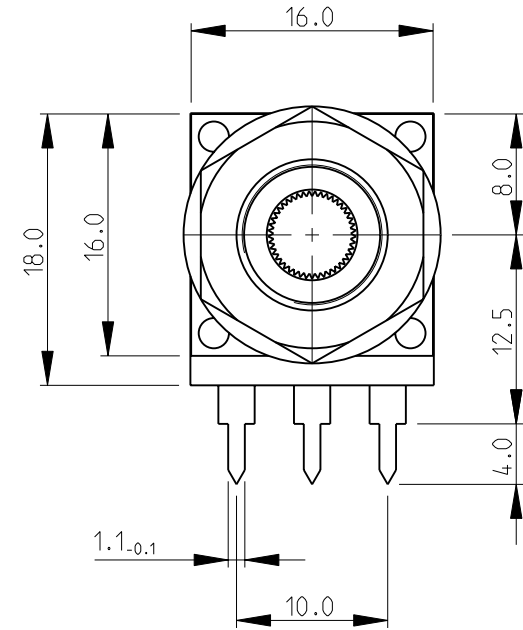
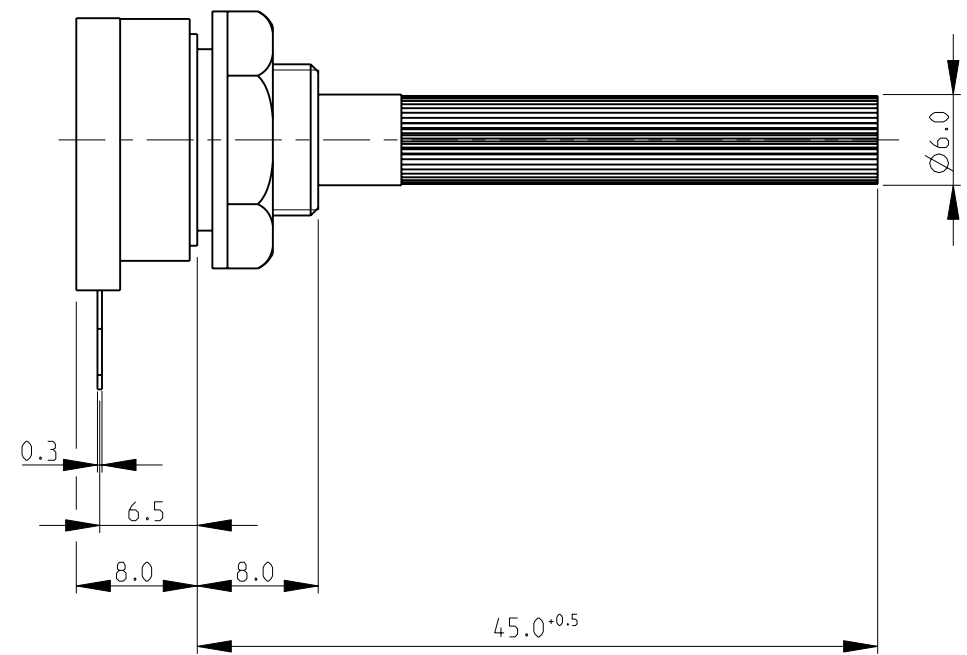


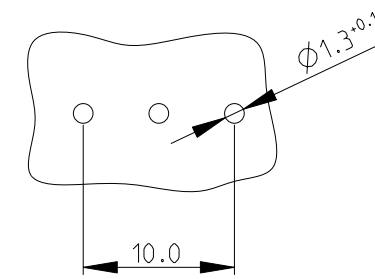
THIS DRAWING IS UNPUBLISHED. RELEASED FOR PUBLICATION 2008
 © COPYRIGHT 2008 BY - ALL RIGHTS RESERVED.

LOC		DIST		REVISIONS			
P	LTR	DESCRIPTION	DATE	DWN	APVD		
BA1		REVISED PER ECO-11-005150	28MAR2011	RK	HMR		

SERIES CP16SH10IP06*

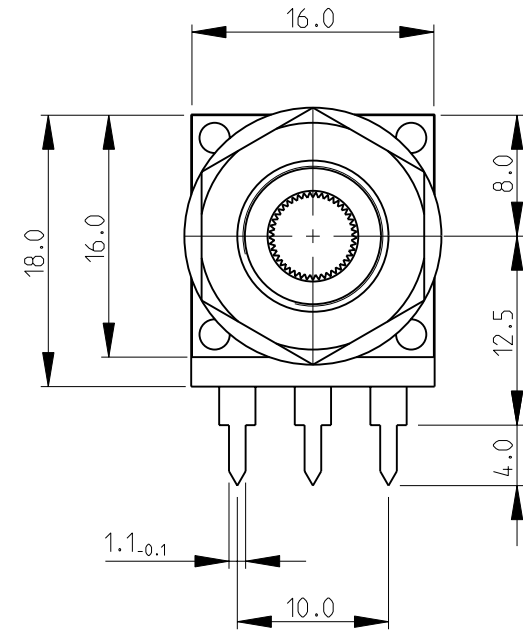
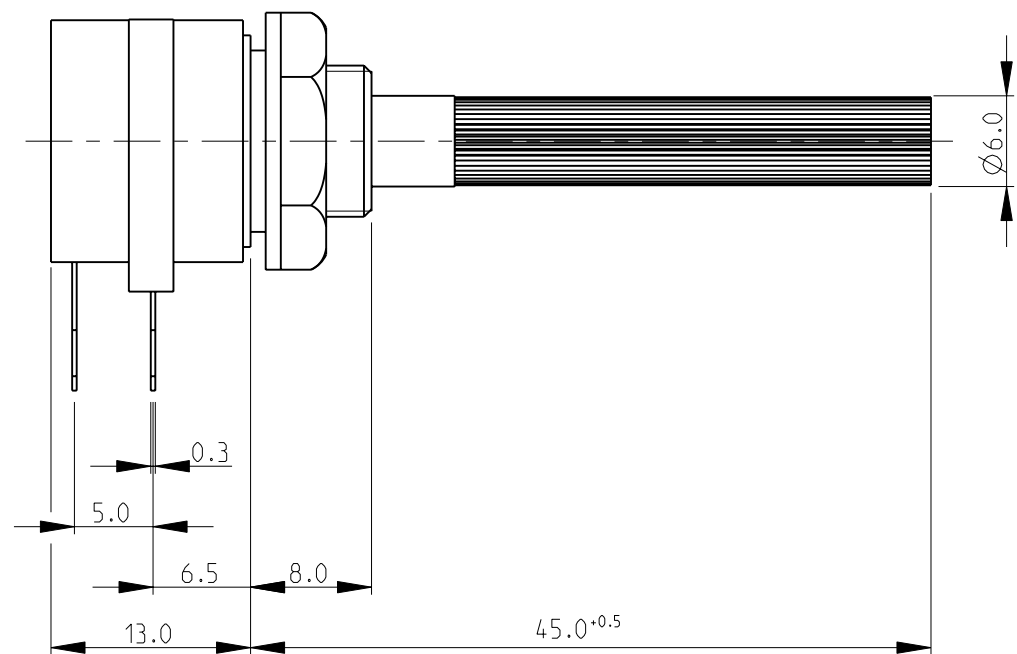


PCB LAYOUT PLAN

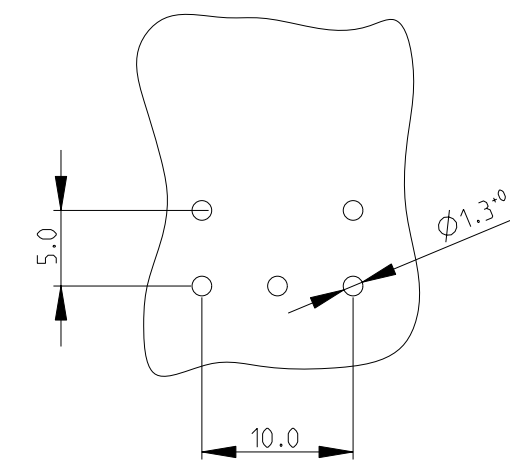


FOR FURTHER INFORMATION SEE DATA SHEET FOR SERIES CP16 - SPINDLE OPERATED POTENTIOMETERS

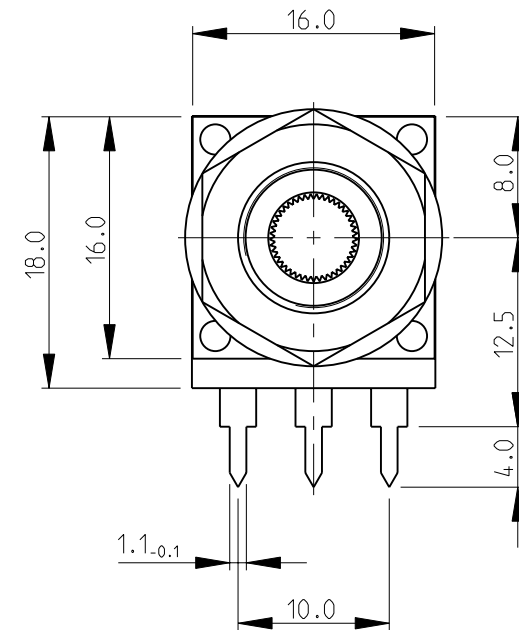
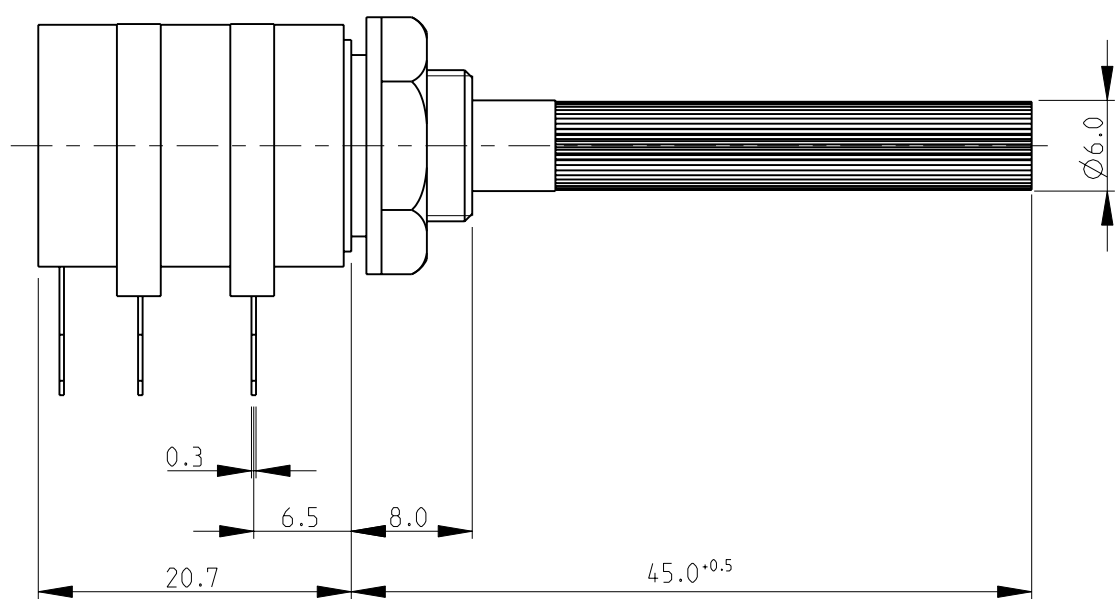
SERIES CP16SH10IP6*....I



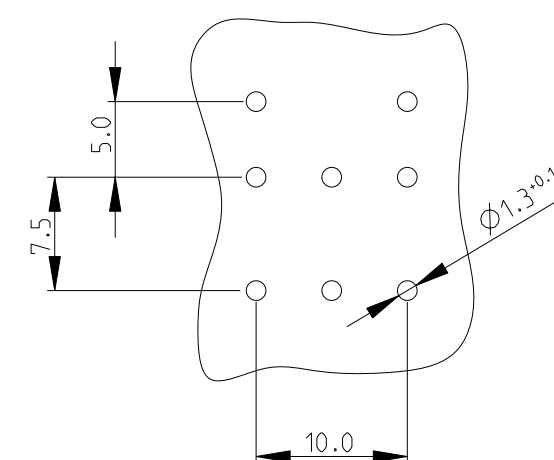
PCB LAYOUT PLAN



SERIES CP16DH10IP06*....I

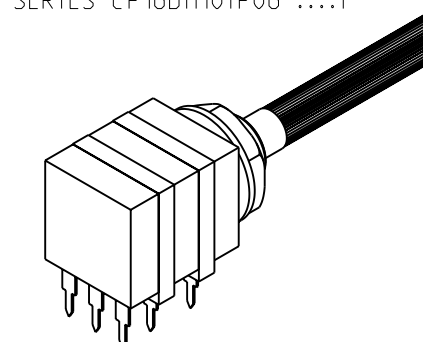


PCB LAYOUT PLAN



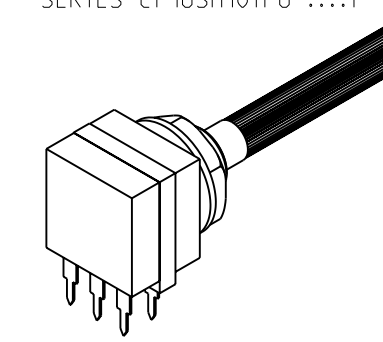
RoHS Compliant

SERIES CP16DH10IP06*....I



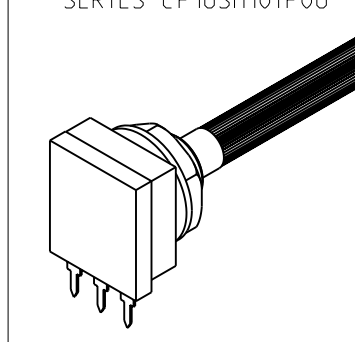
SCALE 1:1

SERIES CP16SH10IP6*....I



SCALE 1:1

SERIES CP16SH10IP06*



SCALE 1:1

THIS DRAWING IS A CONTROLLED DOCUMENT.

DIMENSIONS:	TOLERANCES UNLESS OTHERWISE SPECIFIED:
mm	0 PLC ±0.2
	1 PLC ±0.1
	2 PLC ±-
	3 PLC ±-
	4 PLC ±-
	ANGLES ±5°
MATERIAL	FINISH

DWN	02-DEC-08
CHK	02-DEC-08
APVD	02-DEC-08
PRODUCT SPEC	
APPLICATION SPEC	
WEIGHT	
CUSTOMER DRAWING	

TE Connectivity			
NAME SPINDLE OPERATED POTENTIOMETER SERIES CP16			
SIZE	CAGE CODE	DRAWING NO	RESTRICTED TO
A2	00779	1676003	
SCALE	SHEET	OF	REV
2:1	1	1	BA1